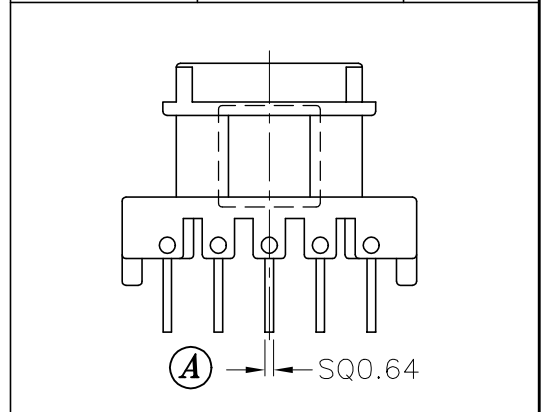


DRAWING NO.	MATERIAL:	ORIGIN:
P-2015-1	PHENOLIC PM9820	DG



REV.	REVISIONS	REC.	REV.	REVISIONS	REC.
1	MATERIAL:T355J->PM-9820		4	CANCEL (P),(L); UPDATE DRAWING	
2	Ⓢ:SHAPE MODIFIED				
3	ADD DETAIL TOLERANCE ON DIM. (E), (F), (H), (H1)				

DRAWN & DRAFTED BY DENG SHENGBIN	TOLERANCES		ANGLE:	TITLE:	
	0<L≤4 ±0.1	pin pitch ±0.2	±1°	T-H BOBBIN EF-20	
CHECKED & APPROVED BY JOHN RONG	4<L≤16 ±0.2		UNIT:	BOBBIN MATERIAL:	UL REC.
	16<L≤63 ±0.3	MM	PHENOLIC PM9820	UL 94V-0	
<b>PIN SHINE INDUSTRIAL CO.,LTD.</b> TEL:886-2-22990545      FAX:886-2-22990546		ORIGIN:	PIN MATERIAL:	PIN TENSION LOAD:	
		DG	CP WIRE	1.5KG MIN	
			DATE:	DRAWING NO.	REV.
			APR.07 '2003	P-2015	4